



Incorporating



Ancillaries

Series AV
Air valves

- Available in four models including a CE marked fire rated variant
- Integrated volume control on all models
- Mounting rings and gaskets supplied



Series AV

Air valves are an unobtrusive and simple to install air terminal, designed to handle low air volumes and suitable for performing both supply and extract functions.

Often seen in areas like bathrooms and kitchens, air valves benefit from either a stove enameled finish, or a fully plastic construction, ensuring high levels of corrosion resistance.

All models have an adjustable centre core allowing adjustment of air volumes and cleaning.

Available in four models:

- GEV - Metal extract air valve
- GSV - Metal supply air valve
- GEFV-CE - CE marked fire rated extract air valve
- PAV - Plastic extract air valve



Design features

Material	GEV / GSV - Steel GEFV-CE - Steel with plastic parts PAV - Plastic with galvanised steel mounting ring
Core	Adjustable and removable to allow volume control and cleaning
Fixings	Mounting ring and gasket seal
Finish	See page 6

Quality assurance

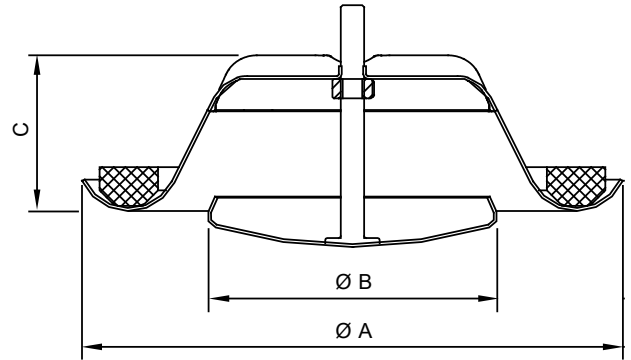
HVC Supplies (Stourbridge) Ltd is an ISO 9001 certified company.



Assessed to ISO 9001
Cert/Ref No. 1186

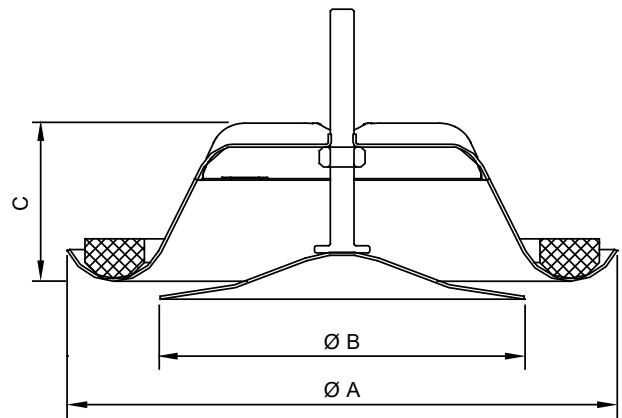
Technical drawings

GEV - Metal extract air valve



Size	A (mm)	B (mm)	C (mm)
100	140	75	40
125	170	99	46
150	202	119	54
160	202	119	54
200	254	157	64

GSV - Metal supply air valve



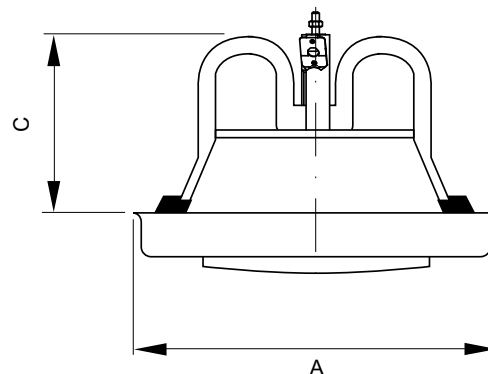
Size	A (mm)	B (mm)	C (mm)
100	140	92	40
125	170	111	46
150	202	135	54
160	202	194	54
200	254	194	64

Technical drawings

GEFV-CE - CE marked fire rated extract air valve

A fully certified CE marked air valve, assessed against the requirements of EN 15650:2010, and with fire resistance as follows:

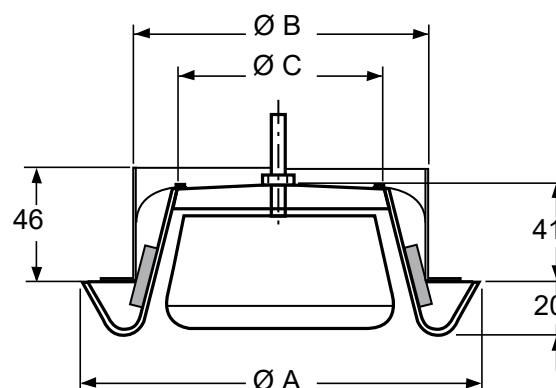
- Installation in flexible wall:** Integrity: E 60
Smoke leakage: E 45 S
- Installation in rigid wall:** Integrity: E 120
Smoke leakage: E 120 S
- Installation in rigid floor:** Integrity: E 120
Smoke leakage: E 60 S



Size	A (mm)	C (mm)
100	134	74
125	160	85
150	191	89
160	191	89
200	241	107



PAV - Plastic extract air valve



Size	A (mm)	B (mm)	C (mm)
100	145	100	70
125	160	125	95
150	190	150	116
160	200	160	125
200	243	200	170

Quick selection data

GEV

Size	Air flow in l/s at sound levels		
	25 dB	30 dB	35 dB
100	30	37	45
125	46	57	68
150	58	70	81
160	64	80	98
200	120	140	170

GSV

Size	Air flow in l/s at sound levels		
	25 dB	30 dB	35 dB
100	20	24	30
125	40	48	57
150	59	68	80
160	50	58	65
200	80	100	120

GEFV-CE

Size	Air flow in l/s at sound levels		
	25 dB	30 dB	35 dB
100	28	34	40
125	43	50	59
150	61	73	80
160	61	73	80
200	69	82	99

PAV

Size	Air flow in l/s at sound levels		
	25 dB	30 dB	35 dB
100	25	29	34
125	33	40	50
150	46	56	66
160	50	60	70
200	55	65	78

Finish

Standard: White

Optional: GEV and GSV - Powder coated to any RAL / BS colour



Ordering codes

Example

1 - 100 dia - GEV - RAL9006

Codes

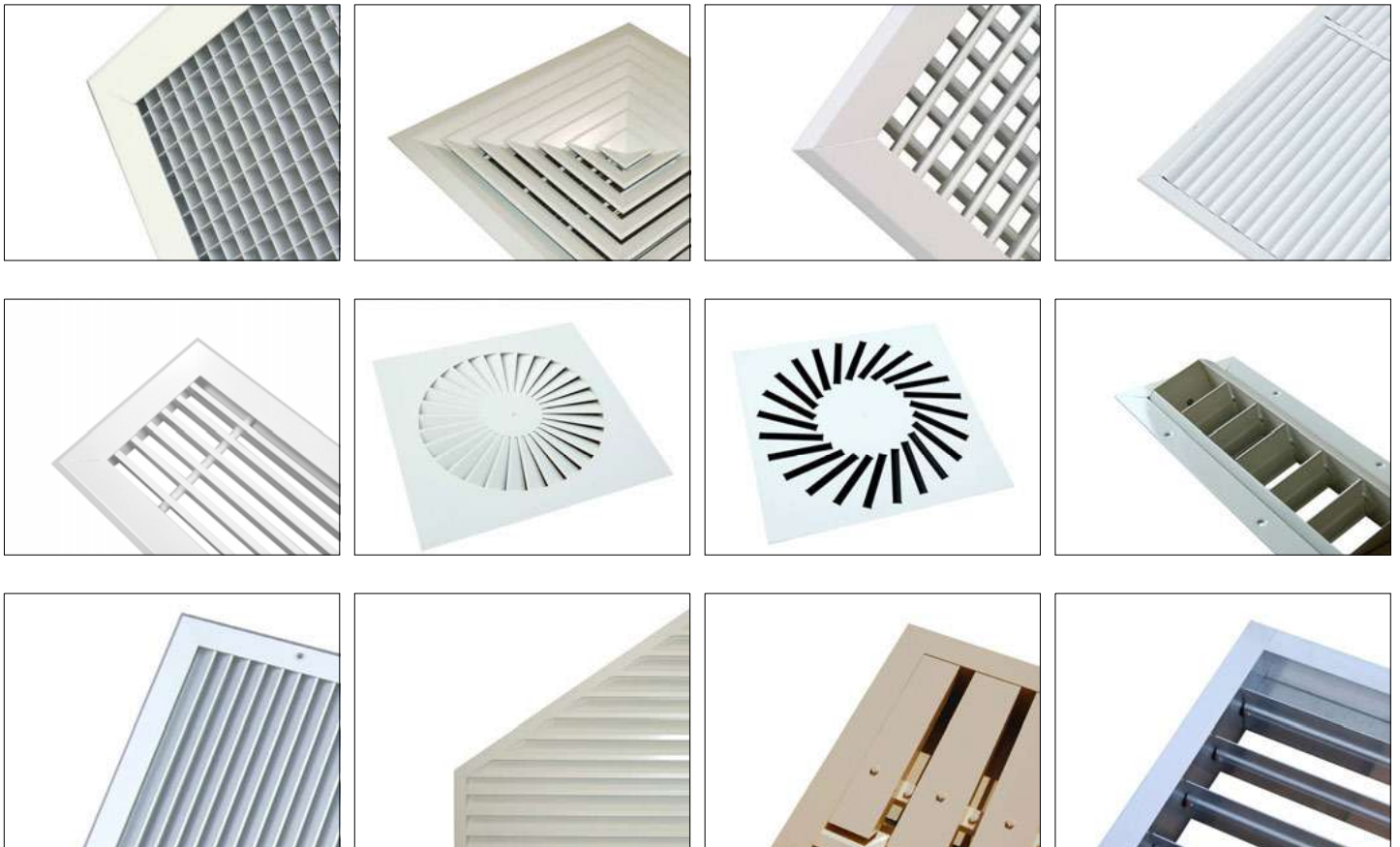
1)	Quantity		
2)	Size (mm)	(Diameter)	Nominal diameter
3)	Series	GEV GSV GEFV-CE PAV	Metal extract air valve Metal supply air valve CE marked fire rated air valve Plastic air valve
4)	Finish	<i>*nothing*</i> RAL... BS...	White (standard) Polyester powder coated to RAL... (not available with GEFV-CE or PAV) Polyester powder coated to BS... (not available with GEFV-CE or PAV)

HVC & NCA products

HVC offer the significant advantage of manufacturing both in duct and duct terminal equipment, making us a one stop shop for all your HVAC needs.

The products shown below are a selection, not an exhaustive list. Go to www.h-v-c.com for details on all HVC and NCA products.

HVC: Grilles, Diffusers, Louvres and Volume Control Dampers



NCA: Fire and Volume Control Dampers





Assessed to ISO 9001
Cert/Ref No. 1186

HVC Supplies (Stourbridge) Ltd
Jason House
Amblecote
West Midlands
DY8 4EY
United Kingdom

Tel: +44 (0)1384 376555
Fax: +44 (0)1384 392555

sales@h-v-c.com

www.h-v-c.com

All details within this brochure are correct at time of publication. However HVC's policy is one of continual product development. The right is reserved to alter any details published in this brochure without any prior notice. Any changes will appear on www.h-v-c.com as soon as is practically possible.

All information in this brochure is designed to be used for informative purposes only. HVC will not be legally bound by anything contained within this publication, or any other information distributed.

All references to companies not part of the HVC group of companies are used with the permission of their respective owners.