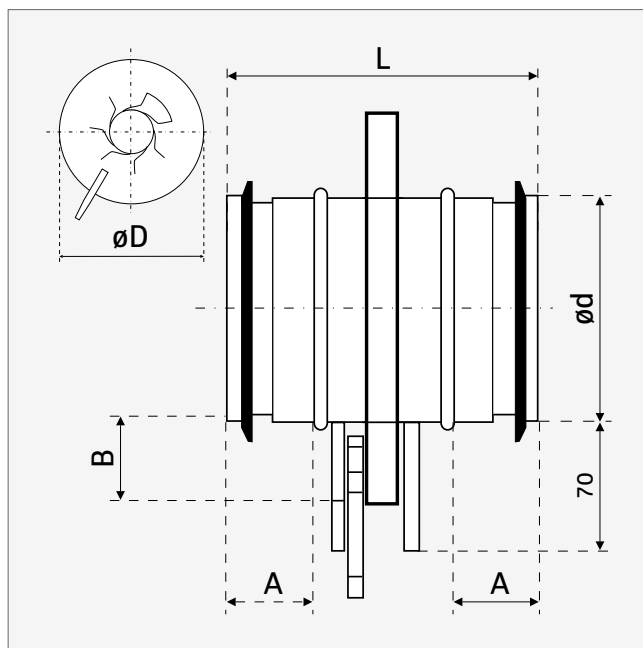




IRIS damper **IRIS**



With IRIS damper, the intensity of air flow may be smoothly adjusted. Adjustment is done with a handle located on the damper which changes the diameter of the opening in the damping orifice. The damper is supplied with two endings which may be used to connect instruments measuring intensity of air flow. The damper is also supplied with a gasket, which tightens connection with the system.

Note: pressure loss diagrams - see page 252

	ød [mm]	øD [mm]	L [mm]	A [mm]	B [mm]
100	99	165	110	30	32
125	124	210	110	30	42
150	149	230	120	30	35
160	159	230	110	30	35
200	199	285	110	30	42
250	249	335	135	40	42
300	299	410	140	35	42
315	314	410	135	40	47
400	398	525	190	60	62
500	500	400	165	70	60
630	630	800	170	70	90
800	800	1020	280	130	105